

# Bohle 2-Part Partition Channel

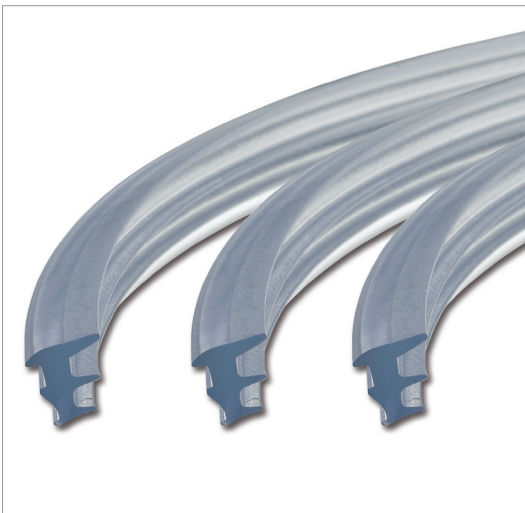
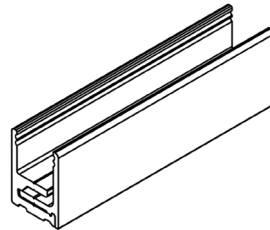
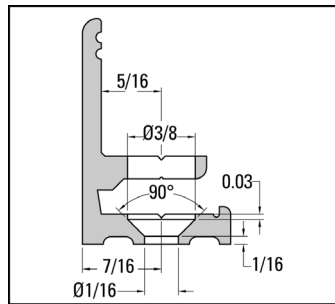
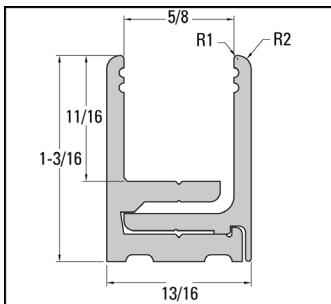


- Worldwide patented design to ensure tight glass dimensions in glass partitions as well an effortless, risk free installation
- No more "lift and drop" installation. Simply "lift and load"
- The ingenious snap on extrusion cover locks tightly and securely
- One single extrusion for various glass thicknesses: 5/16" - 11/16" (8 - 17.52 mm). Simply use the correct PVC gasket (BO 5201713-5)

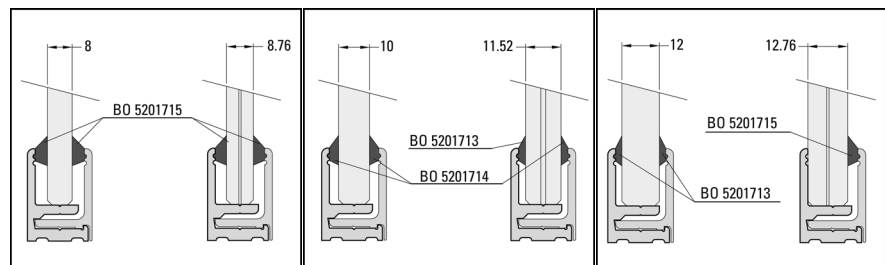
## Technical Data

Glass thickness	5/16" - 1/2" (8 - 12.76 mm)
Dimensions	13/16" w x 1 3/16" h (21 x 30 mm)
Material	Aluminum

Finish	Length	Article number
anodized, pre-drilled	9'-10 1/8" (3000 mm)	BO 52 017 50
stainless steel effect, satin, pre-drilled	9'-10 1/8" (3000 mm)	BO 52 017 51
anodized, pre-drilled	16'-4 7/8" (5000 mm)	BO 52 017 52
stainless steel effect, satin, pre-drilled	16'-4 7/8" (5000 mm)	BO 52 017 53



## Universal PVC Gasket



For Two-Part U Channel for Glass Partitions BO 5201710 - 12

**i** Material: transparent · Dimensions: 2 pcs. @ 16'-4 (5000mm) each