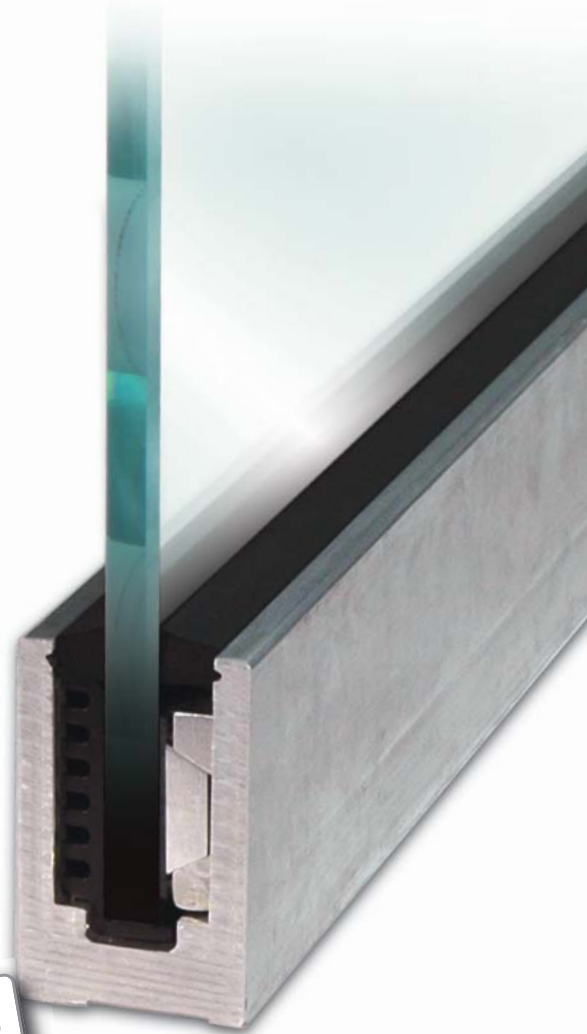


- Reduces Labour Costs up to 80%
- Reduces Freight Costs up to 30%
- Broadest Grip Range of any Dry Glaze Option
- No Special Tools Required
- No Mess

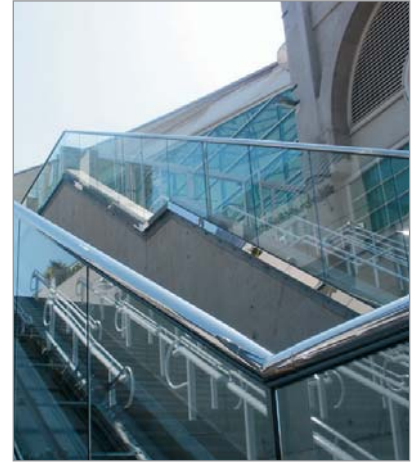
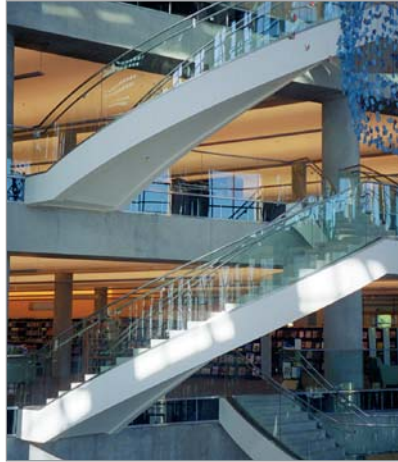


NEW
You will never think of glass
railing the same way again!

*PanelGrip*TM

PanelGrip™ Dry Glaze Glass Railing System

The PanelGrip™ System utilizes a unique locking mechanism of high-strength aluminium and PVC isolators combined with a specially designed aluminium shoe moulding. When assembled with ½" tempered glass, PanelGrip™ enables the installer to fabricate a structural glass railing system with significant reductions in labour and freight costs.



Easy to Install

- 01 Place Plastic Isolator into Shoe
- 02 Insert Glass
- 03 Insert PanelGrip™ on Opposing Side
- 04 Tighten Screw with Allen Wrench
- 05 Done!

Reduce Labour Costs up to 80%

No sealing of shoe, no setting blocks, no plumbing of glass, no multiple pours of cement, no waiting for cement to cure; no messy clean-up.

Reduce Freight Costs up to 30%

PanelGrip™ shoe is 30% lighter than standard shoe moulding yet meets structural load requirements for railings.

Broadest Grip Range of Any Dry Glaze Option

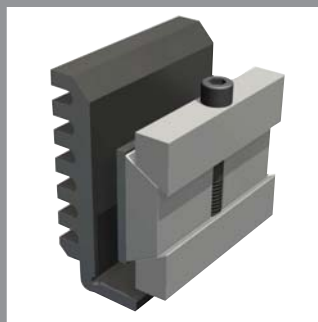
Made for nominal 12.7mm tempered glass but will work for any panel between 11.50mm and 13.1mm.

No Special Tools required

All you need is an Allen wrench for installation or removal.

No Mess

No mixing and pouring of expansion cement, no running of cement on incline.



BO 52 017 00
Panel Grip™ Locking Mechanism

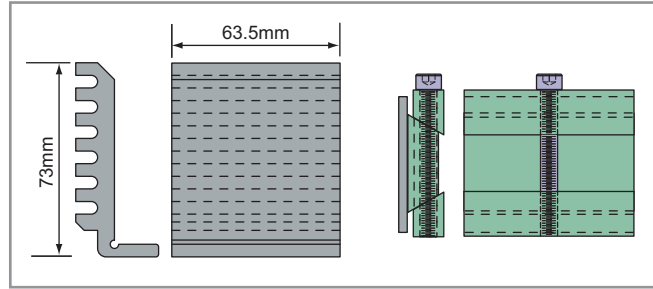
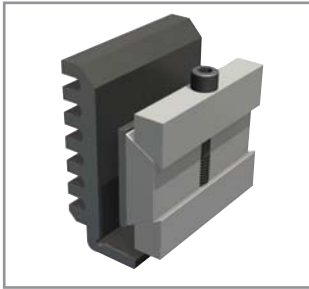


BO 52 017 01
Panel Grip™ Shoe Moulding

PanelGrip™ System

BO 52 017 00

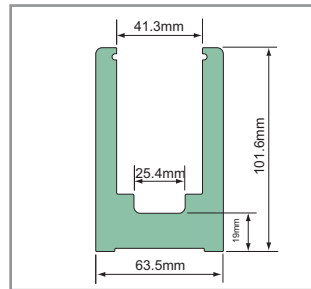
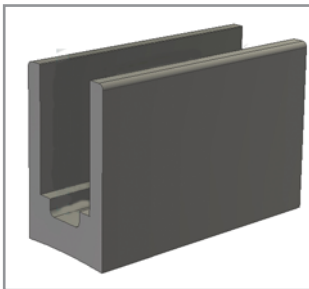
PanelGrip™



Glass mounting elements, for shoe moulding, box of 4

BO 52 017 01

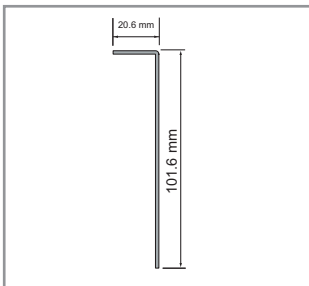
PanelGrip™ Shoe Moulding



Shoe moulding for all-glass guardrails, for 12.7 mm lamin. glass with countersunk holes 3000 mm, aluminium

BO 52 017 02

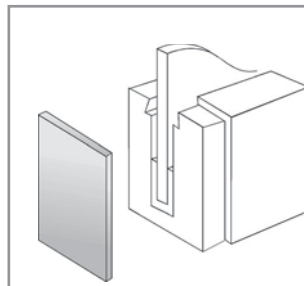
Cladding



Cladding for shoe moulding for floor profile stainless steel look, 3000 mm

BO 52 017 03

End Caps



End caps for cladding and shoe moulding, stainless steel look, 3000 mm

BO 52 017 04

Gasket - black



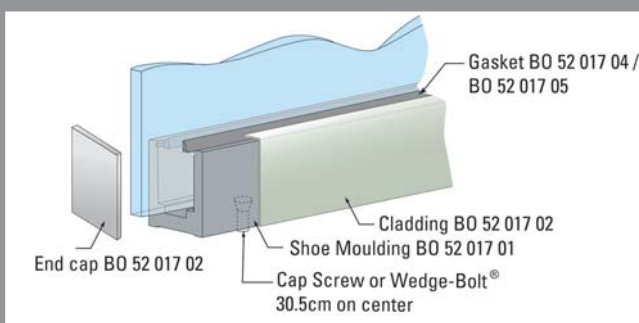
Sealing profile for use without cover, roll of 20 m

BO 52 017 05

Gasket - black

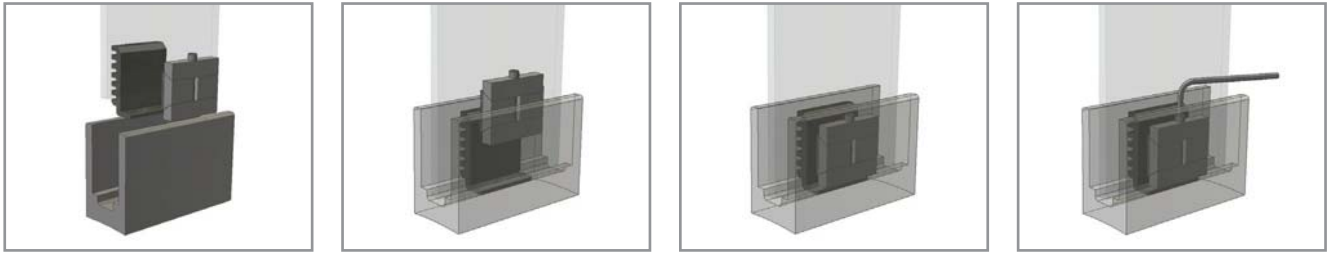


Sealing profile for use with cover, roll of 20 m



» PanelGrip™ Components «

How to Use PanelGrip™



The PanelGrip™ profile is suitable for glass thicknesses of 11 to 13 mm. PanelGrip™ can be used in the interior or exterior. The profile is available in lengths of 3000 mm and is pre-drilled.

Before installing the PanelGrip™, please check if there are further requirements for the glazing unit (e.g. a compulsory hand rail)

Installation:

- 01 Fix the base profile onto the floor. Make sure the profile is absolutely vertical to the floor, as the later position of the glass pane depends on the alignment of the profile. The appropriate material to fix the profile onto the floor depends on the type of ground. The maximum distance from the end of the profile to the first bore hole should not be more than 150 mm.
- 02 Clean the profile of all debris.
- 03 Set the plastic spacers into the profile.
- 04 From the middle of the first spacer to the glass edge, the distance should not be more than 100 mm. The following spacer should not be further apart than 350 mm from middle to middle of each other. For a 1200 mm wide glass pane, 4 spacers should be used.
- 05 When using several PanelGrip profiles for one glazing unit, the glass panes should meet in the middle of the profile. This way the glass panes automatically align when tightening the fixation screws.
- 06 Insert the clamping part from above so the Allen screw faces upwards and the plastic side faces the glass. Tighten the Allen screw lightly. Doing so, the plastic part will move towards the glass pane and clamp it.
- 07 Repeat steps 1 to 6 with all profiles, spacers, clamping parts and glass panes.
- 08 Align glass panes to each other in the profile. When all components are mounted carefully and precisely, a very high fitting accuracy can be achieved.
- 09 After all glass panes have been aligned, tighten all screws so the panes cannot move anymore. To secure the screws, tighten another quarter turn. **Attention:** The PanelGrip™ has a pressure sensitive locking mechanism which ensures that the screw remains tight over a long period of time. Each loosening and re-tightening of the screw reduces the locking strength. On average, the PanelGrip can be loosened and re-tightened four times. After that, the clamping parts need to be replaced. Due to the special construction of PanelGrip, a tolerance of more than +/- 3 mm at the top of the glass edge (total height 1100 mm) is impossible, provided that glass tolerances allow the same.
- 10 Now mount the sealing profiles. For easier mounting, these can be moistened with glass cleaner (e.g. BO 51 078 00). There are two sealing profiles available:
BO 52 017 04: When no cladding is used, e.g. when the profile is sunk in the floor
BO 52 017 05: To be used between glass and cladding
- 11 For mounting the cladding use double-sided adhesive tape or silicone.
- 12 Mount the end caps to the PanelGrip profile with silicone.

Repair advice:

To remove a glass pane, loosen the corresponding screws and lift the pane vertically out of the base profile.

Germany

Bohle AG · Head Office
Dieselstraße 10
D - 42781 Haan

T +49 2129 5568-0
F +49 2129 5568-201

export@bohle.de

United Kingdom and Ireland

Bohle Ltd.
Fifth Avenue
Tameside Park · Dukinfield
Cheshire · SK16 4PP

T +44 1613421100
F +44 613440111

info@bohle.ltd.uk

South Africa

Bohle Glass Equipment (Pty) Ltd.
Unit 3, Graphite Industrial Park
Fabriek Street,
Strijdom Park 2125, Gauteng

T +27 11 792-6430
F +27 11 793-5634

info@bohle.co.za

USA

Bohle America, Inc.
10924, Granite Street
Suite 200, Charlotte, NC 28273

T +1 704 887 3457
F +1 704 887 3456

info@bohle-america.com